

## TECHNICAL SPECIFICATION

# Envirotainer<sup>®</sup> container RAP e2

## The most advanced temperature-controlled air cargo container

### ENVIROTAINER<sup>®</sup> CONTAINER RAP e2

#### Designed for the pharmaceutical industry

As one of the most advanced temperature-controlled air cargo containers, the RAP e2 is designed for the extreme requirements of the pharmaceutical industry. You can easily load 5 Euro pallets or 4 US pallets. Since its inception, the RAP e2 container has proven its robustness, having performed more than 23,000 real life pharmaceutical shipments. The RAP e2 maintains product temperatures in the +2 to +8 °C range, controlled room temperature (+15 to +25 °C) range or at any chosen set temperature between ±0 and +25 °C in nearly any ambient condition appearing along your shipping routes globally.

#### Ensuring seamless handling throughout your supply chain

The RAP e2 is a certified air cargo ULD (Unit Load Device). A ULD can be carried on board the most common types of wide body aircrafts. Moreover, ULD's often get prioritized cargo status, are tracked in airlines fleet management and have a quick transfer process. These factors improve the fleet management, traceability and priority onboard of ULD's, compared to non-ULD, reducing the risk of shipment delays.



#### Superior insulation performance

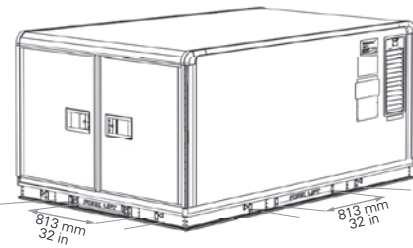
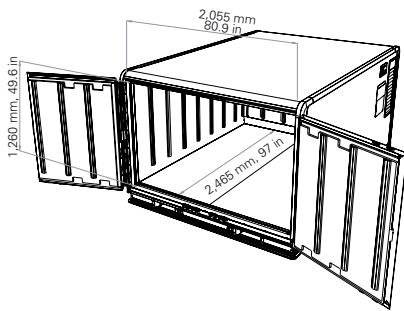
To secure temperature stability throughout the shipments, regardless of ambient conditions, the RAP e2 is designed with superior insulation performance in combination with an established and proven electrical heating and cooling technology.

#### Open platform

Envirotainer is an open platform service provider – our products are made available worldwide through a range of partners in the airline and forwarding industry. Contact Envirotainer to test the RAP e2 container.

#### Performance data:

- Autonomy running on batteries for minimum 30 h when set temperature is +5°C and ambient temperature is between -10°C and +30°C
- Operational at temperatures from -30 to +50 °C
- Set temperature range ±0 to +25 °C
- Temperature tolerance ±3 °C (at set temperature +5°C) when container is in use
- Batteries charged (from 0 to 100%) in 12 h regardless if container is in use or not



### Contact information

It is easy to implement and work with an Envirotainer® solution. We offer a range of container types for convenient short and long term leasing from a worldwide network of stations. Please contact one of our three operations centers for container leases or visit [www.envirotainer.com](http://www.envirotainer.com) for more information

[www.envirotainer.com](http://www.envirotainer.com)

ENV1303 Envirotainer is a registered trademark of the company Envirotainer AB. All rights reserved.

## ENVIROTAINER® CONTAINER RAP e2

### Refrigerating system

Thermostat-controlled air conditioning system with compressor cooling and electrical heating. Powered by rechargeable batteries.

Recharging power supply	100-240 V AC, 50-60 Hz
Maximum power consumption during charging	1850 W
Maximum charging time	12 h
Container set temperature range	0°C to +25°C (+32°F to +77°F)
Temperature tolerance in cargo space	
– at set temp 0°C to +10°C (+32°F to +50°F)	+/- 3°C (+/- 5.4°F)
– at set temp +10°C to +25°C (+50°F to +77°F)	+/- 5°C (+/- 9°F)
Autonomy at container set temperature +5°C (41°F)	30 h*
Operation range at container set temperature +5°C (41°F), ambient conditions**	-25°C to +40°C (-13°F to +104°F)
Storage temperature range	-40°C to +50°C (-40°F to +122°F)

### Dimensions

External cube (volume)	11.5 m <sup>3</sup> (406.1 foot <sup>3</sup> )
External dimensions (L x W x H)	3175 x 2235 x 1626 mm (125 x 88 x 64 in)
Internal dimensions (L x W x H)	2465 x 2055 x 1260 mm (97 x 80.9 x 49.6 in)
Door opening	(L x H) 2055 x 1260 mm (80.9 x 49.6 in)
Internal cube (volume)	6.38 m <sup>3</sup> (224.2 foot <sup>3</sup> )

### Weight

Tare weight	1,100 kg (2,425 lbs)
Max gross weight	6,033 kg (13,300 lbs)
Max net weight	4,933 kg (10,875 lbs)

### Other information

Suitable for use on aircraft A300, A310, A330, A340, A380, B747, B767, B777, DC10, IL86, MD11, L1011

Forkliftable with a slot-height of 102 mm (4 in), slot-width of 305 mm (12 in) and distance 813 mm (32 in).

\* Minimum operating time if ambient temperature is between -10° C to +30 °C (+14 °F to +86 °F).

\*\* Please refer to test report "TR100560" for load specification.