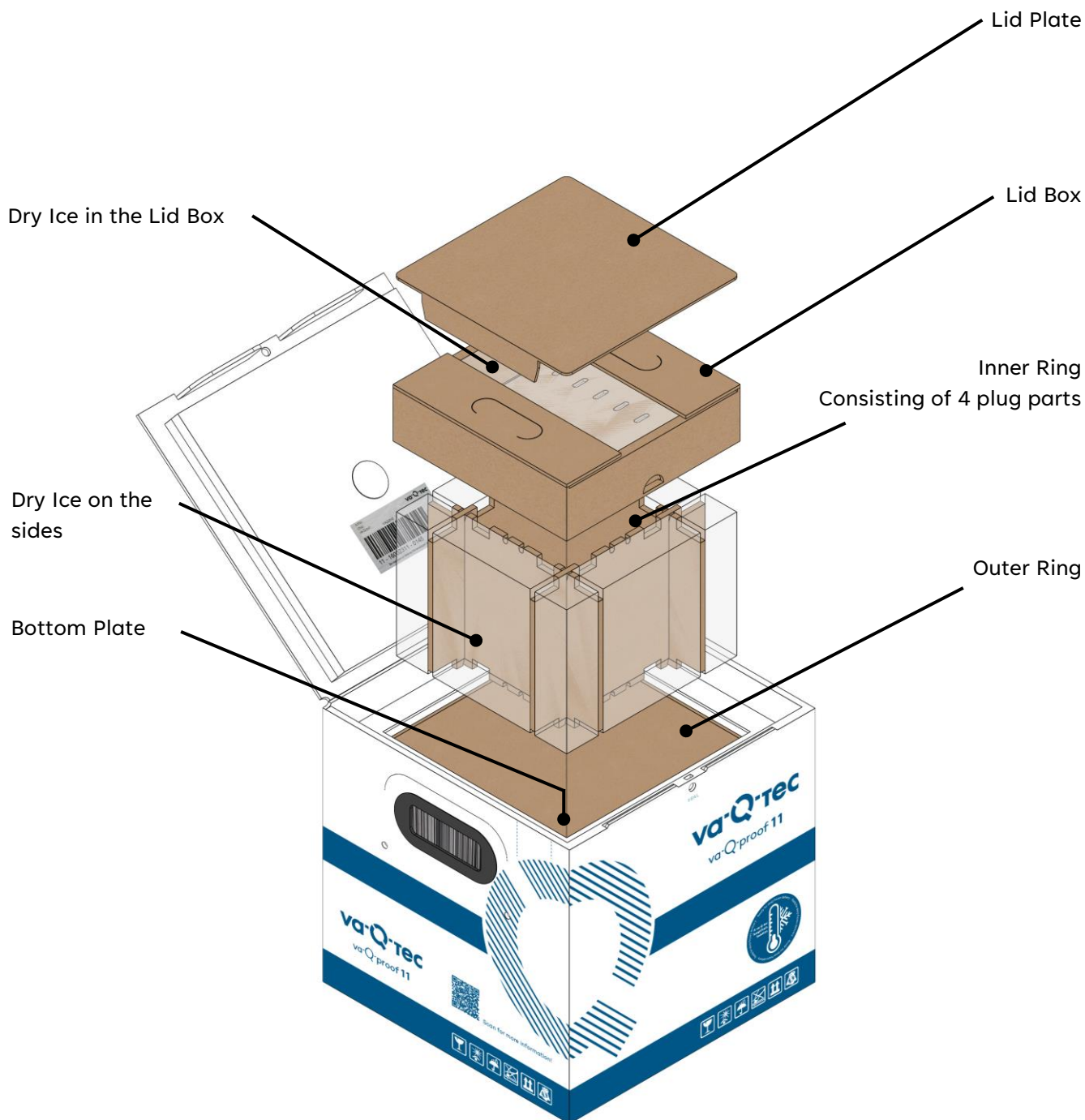


Loading Instruction for the Dry Ice Separators

For va-Q-proof 11 - 74



Note:

For the Dry Ice separator assembly process, the va-Q-proof 11 is shown exemplary in the figures. The following instruction is valid for: **va-Q-proof 11 – 74.**

Part 1 – Assembling the Lid Box

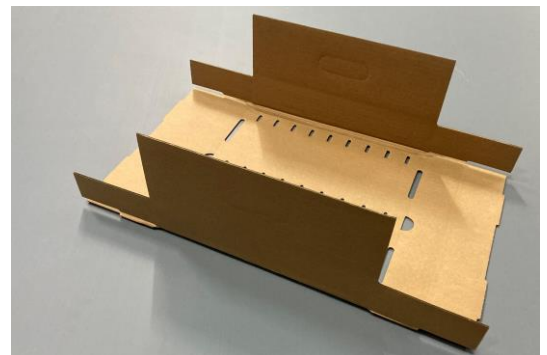
Step I

The components of the Dry Ice Separators are strapped together. Remove the straps to unpack the assembling.



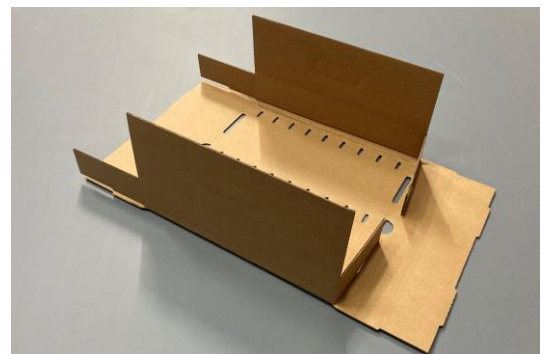
Step II

Unfold the cardboard of the Lid Box and place it in front of you. Fold up the sides with the handles.



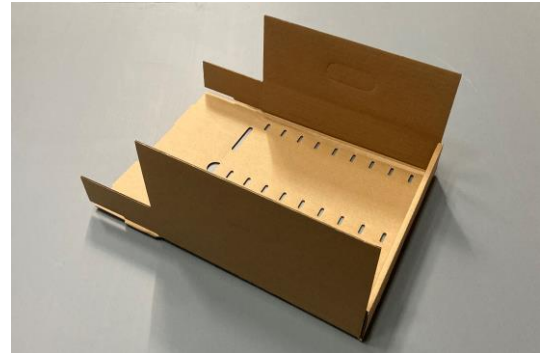
Step III

Fold in the attached flaps of the sides so that they are aligned parallelly.



Step IV

Fold up one of the sides perpendicular to the handle. Put the side over the flaps which lie parallel to each other and stick them into the respective slot.



Step V

Repeat step III and IV with the other side perpendicular to the handle.



Step VI

Slightly fold down the upper part of the sides with the handles.
The finished lid box can be seen on the right.



Part 2 – Loading the Dry Ice Separators into a va-Q-proof 11-74

Step I

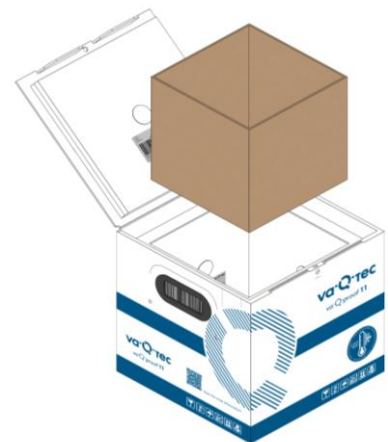
Open the lid of the va-Q-proof.
If an EPP-Inlay is inside, please remove it.

Place the Bottom Plate at the bottom of the va-Q-proof.



Step II

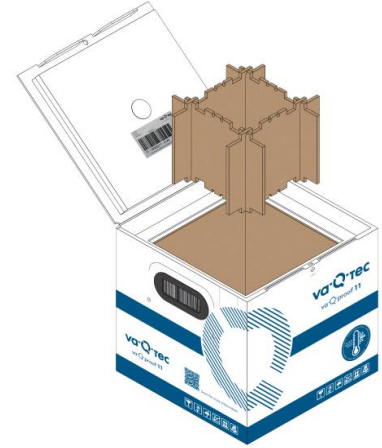
Unfold the Outer Ring and then place it into the va-Q-proof, so that the VIP's at the sides are protected from Dry Ice.



Step III

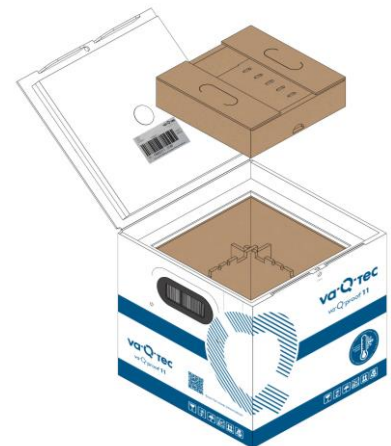
Plug the Inner Ring together, which is composed of four plug parts. When the Inner Ring is assembled, place it inside the Outer Ring.

Note: For va-Q-proof 16, 30, 43 there are two long and two short plug parts. Plug the Inner Ring together with parts of the same length opposite of one another.



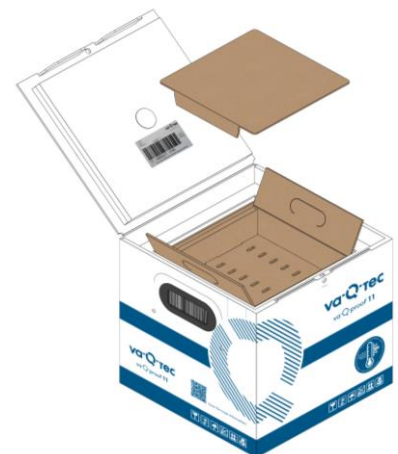
Step IV

Place the readily assembled Lid Box on top of the Inner Ring. The flaps with the handles of the Lid box should face upwards.



Step V

Place the Lid Plate onto the Lid box to protect the top VIP from Dry Ice. Insert the tabs from the Lid Plate inside the Lid Box.



Step VI

Fold the flaps with the handles of the Lid box onto the Lid Plate, so they create an even surface.

Close the lid of the va-Q-proof.



Step VII

The va-Q-proof is now ready to be filled with Dry Ice. Please follow the respective SOP *Dry Ice loading instruction for va-Q-proof 11-74*.