

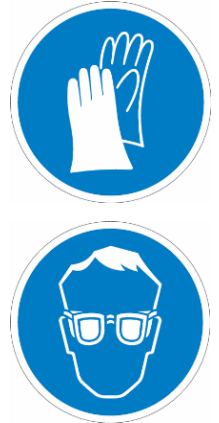
Product loading / unloading instruction

For va-Q-proof 110P – 240P Dry Ice

Note:

Dry Ice is a hazardous substance. Before using a va-Q-proof with dry ice, undertake a risk assessment with your health and safety department to ensure all appropriate safeguards according to local regulations are in place. Make sure to handle the box only in well ventilated areas. When handling dry ice wear insulated gloves and safety goggles.

For the product loading / unloading process, the va-Q-proof 110P is shown exemplary in the figures. The following loading / unloading instruction is valid for: **va-Q-proof 110P & 240P**.

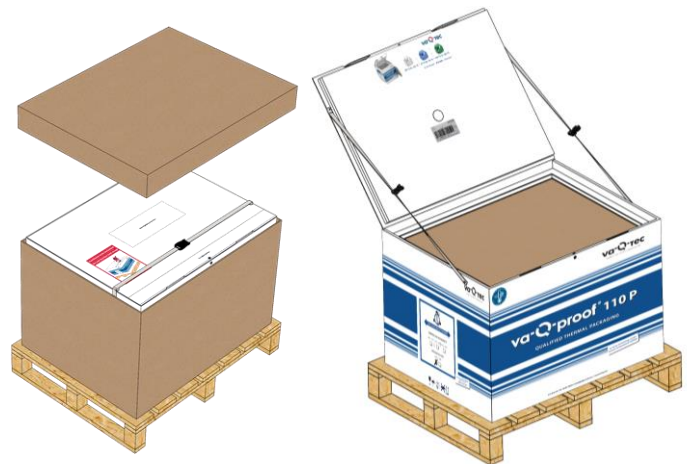


Step I

Open the lid of the va-Q-proof.

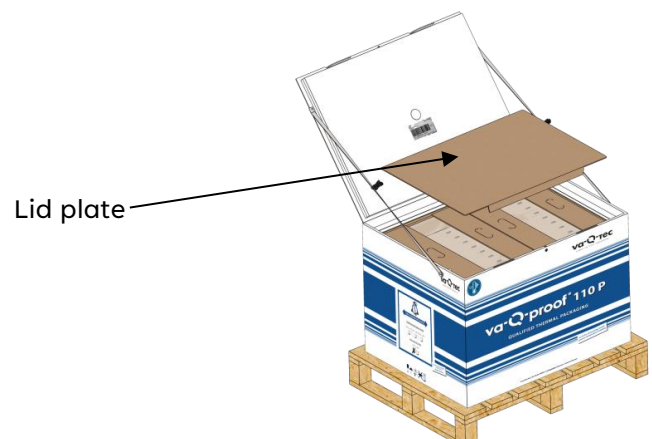
Note:

The outer cardboard ring and lid are hidden in the following figures. However, the outer ring and lid are part of the product and should not be removed as they provide additional stability and protection for the overall product.



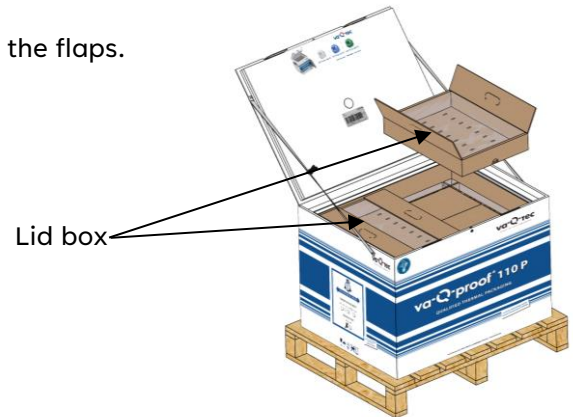
Step II

Take out the lid plate, which is on top.



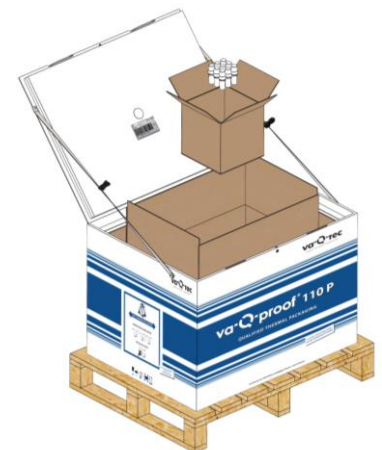
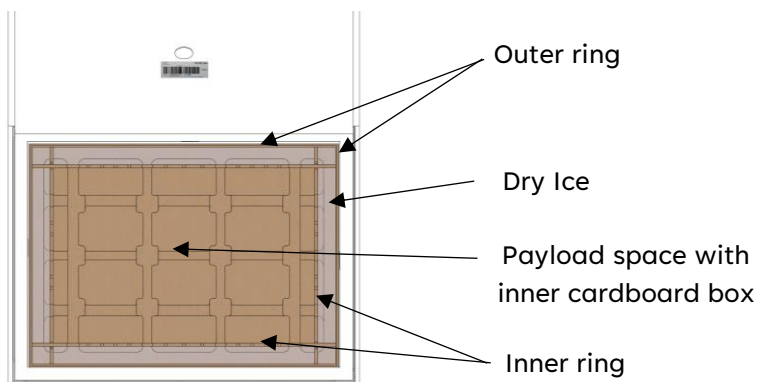
Step III

Take out the two lid boxes on top by grabbing the handles of the flaps.



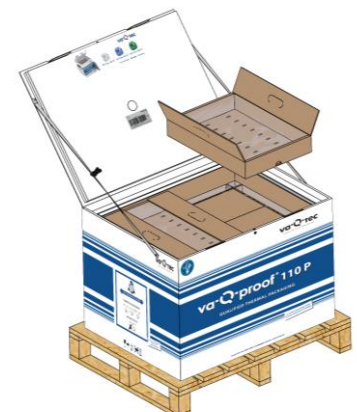
Step IV

Load / unload the product.



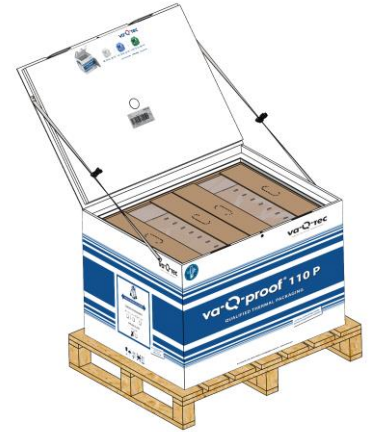
Step V

Place the two lid boxes back onto the inner ring.



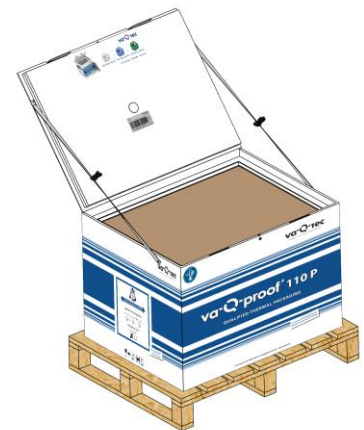
Step VI

Fold the flaps with the handles of the lid boxes down, so they create an even surface.



Step VII

Put the lid plate back on top of the lid boxes.



Step VIII

Close the lid of the va-Q-proof by folding the flaps inwards and sliding these into the respective slots of the outer shell. Make sure the belt strap is outside of the va-Q-proof. Confirm it is not stuck between lid and the rest of the container and lock the belt strap above the lid of the va-Q-proof.

Seal the lid with adhesive tape at the marked position.

If required, a seal can be threaded through the loops to secure the va-Q-proof 110P. To ensure the transport security it is recommended to use four strapping tapes but at least two.

